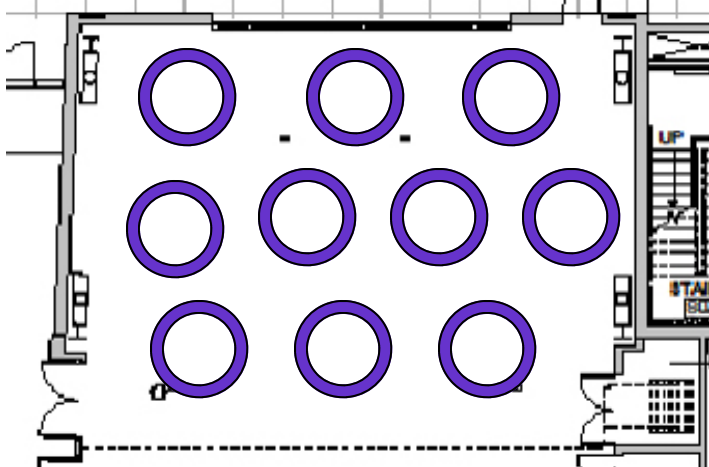
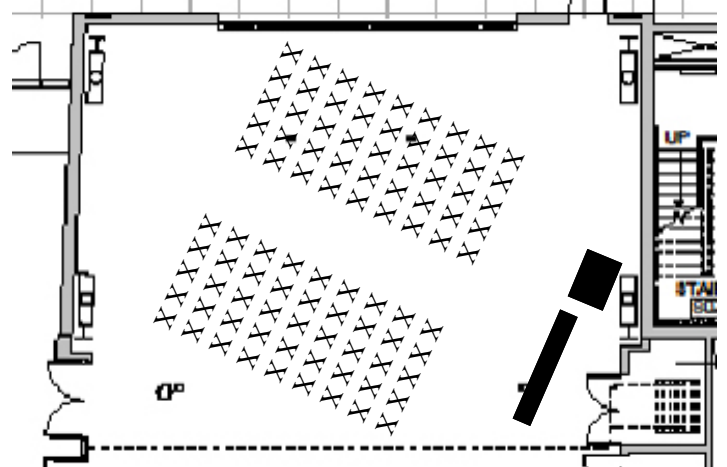


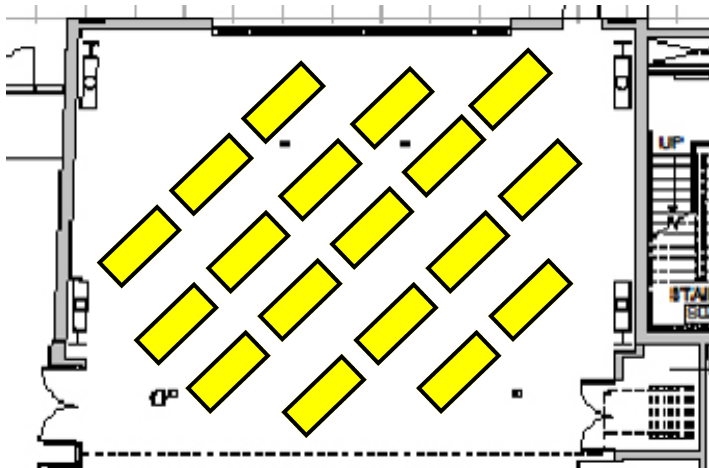
Jane Russell Commons — Set-up Options



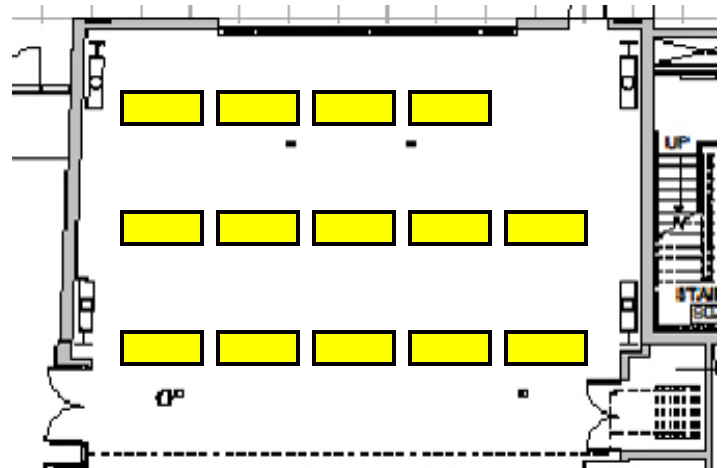
A Round tables —
Max 10 chairs per table = 100 guests



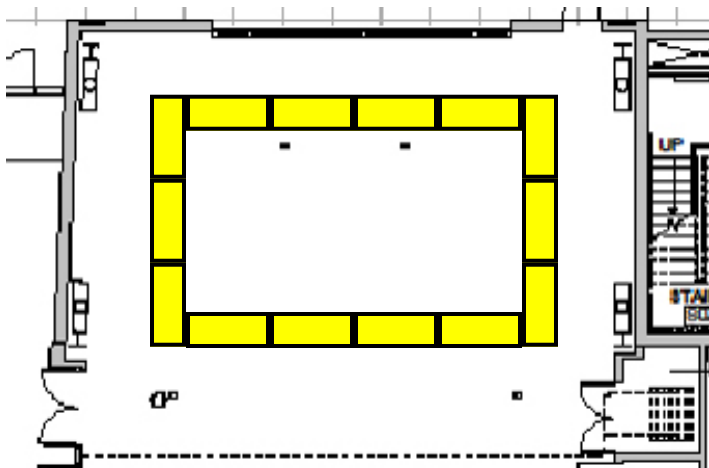
B Lecture Seating —
Up to 80 guests



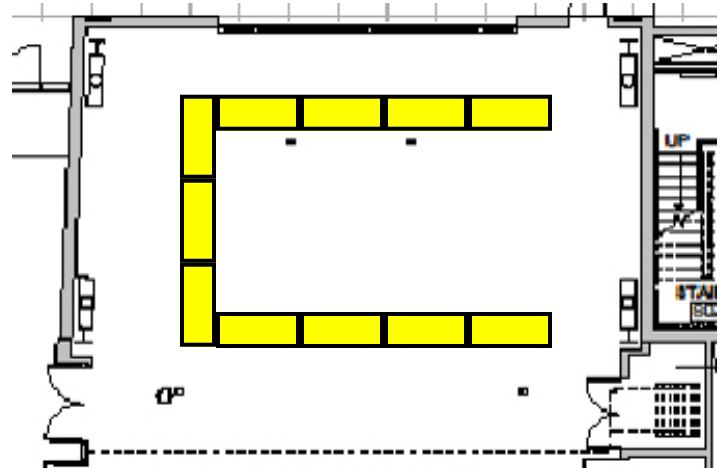
C Workshop Seating — Facing Screen
6 foot tables, 3 per table = 54 guests



D Fair Style — 6 foot tables,
each with 2 chairs, up to 14 tables



E Conference Set-up — Hollow Square
6 foot tables, 3 per table = 42 guests



F Conference Set-up — U Shape
6 foot tables, 3 per table = 33 guests